



• ED9225 Series II.

DC Brushless fan.

Size: 92 x 92 x 25mm

3.6 x 1 Inches.

Airflow: Max. 103CFM / 2.9 m³/min

Plastic Impeller / Plastic Frame.

Model No.	Rated Voltage VDC	Voltage Range VDC	Input Power Watt	Rated Current Amp	Ref Speed RPM	Max. Airflow CFM	m ³ /min	Max. Static Pressure Inch/H ₂ O	mm/H ₂ O	Noise Level dB (A)	PQ Curves
ED9225-12SH**	12	7~13.2	10.2	0.85	5500	103	2.9	0.58	14.73	55	1
ED9225-12HHH**	12	7~13.2	8.4	0.7	5000	94	2.7	0.47	11.94	52	2
ED9225-12HH**	12	7~13.2	5.4	0.45	4500	85	2.4	0.4	10.16	50	3
ED9225-12H**	12	7~13.2	4.2	0.35	4000	76	2.2	0.31	7.87	47	4
ED9225-12M**	12	7~13.2	3.6	0.3	3500	66	1.9	0.24	6.1	44	5
ED9225-12L**	12	7~13.2	3	0.25	3000	57	1.6	0.19	4.83	40	6
ED9225-24SH**	24	14~26.4	10.32	0.43	5500	103	2.9	0.58	14.73	55	1
ED9225-24HHH**	24	14~26.4	8.4	0.35	5000	94	2.7	0.47	11.94	52	2
ED9225-24HH**	24	14~26.4	5.52	0.23	4500	85	2.4	0.4	10.16	50	3
ED9225-24H**	24	14~26.4	4.56	0.19	4000	76	2.2	0.31	7.87	47	4
ED9225-24M**	24	14~26.4	3.6	0.15	3500	66	1.9	0.24	6.1	44	5
ED9225-24L**	24	14~26.4	3.12	0.13	3000	57	1.6	0.19	4.83	40	6
ED9225-48SH**	48	28~56	9.6	0.2	5500	103	2.9	0.58	14.73	55	1
ED9225-48HHH**	48	28~56	7.2	0.15	5000	94	2.7	0.47	11.94	52	2
ED9225-48HH**	48	28~56	4.8	0.1	4500	85	2.4	0.4	10.16	50	3
ED9225-48H**	48	28~56	2.88	0.06	4000	76	2.2	0.31	7.87	47	4

** = "BL" for wire lead type Ball bearing Type.

•We reserve the right to change data and improve electrical & mechanical design without notice. data tolerance +10%

Motor

Motor Type: Brushless DC Motor, auto cutoff, auto restart
 Burnout Protection: Electronically protected, polarity protected
 IP Protection: Ratings on request

Mechanical

Frame: Glass fiber reinforced thermoplastic, rated UL94V-0
 Impeller: 7 blades, glass fiber reinforced plastic, rated UL94V-0
 Bearing: Two ball bearings
 Rotation: CCW seen on rotor
 Connection: Wire lead
 Weight: 80 g (0.176 Lbs)

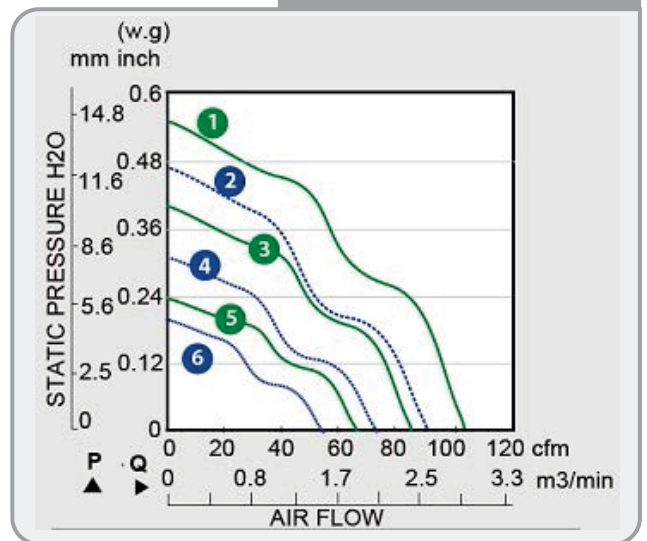
Electrical

Dielectric Strength: 500 VAC/min. Max leakage 500mA
 Speed Control: Optional: PWM, S/C NTC thermister on request
 Signal Output: Optional: R/D alarm output, tachometer output F/G

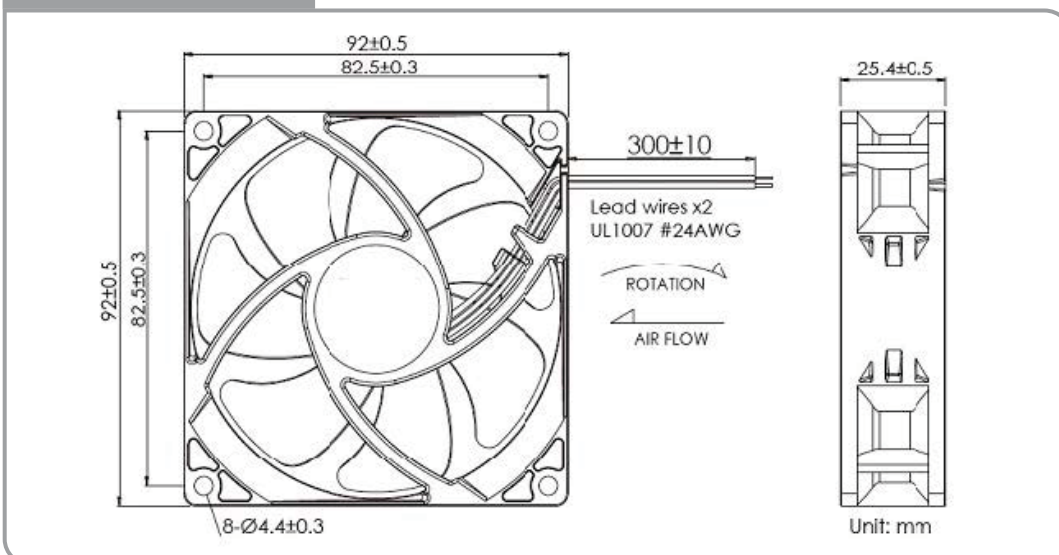
Environment

Operating Temp: Ambient non-condensing -15°C~+65°C
 Storage Temp: -25°C~+80°C (at 65%RH)
 Life Expectancy: L10 70K hours at 40°C, 60K hours at 65°C

► Performance P-Q Curves.



► Outline Dimensions.



Fan Accessories

- Metal Fan Guards
- Plastic Fan Guards
- Plastic Fan Filter
- Metal Fan Screens